





## CONTENTS:

|         |    |
|---------|----|
| BABA    | 4  |
| KEIRA   | 10 |
| VILLA   | 12 |
| LENA    | 14 |
| CORTONA | 16 |
| NOVARA  | 18 |
| AIME    | 22 |
| PANDINO | 24 |
| DONALD  | 25 |
| KRONOS  | 26 |



# BABA | CHAIR

DESIGNED BY: SERGIO MIAN

## THE ICONIC CLASSIC







# BABA | BAR STOOL

DESIGNED BY: SERGIO MIAN







# BABA | BAR STOOL

DESIGNED BY: SERGIO MIAN





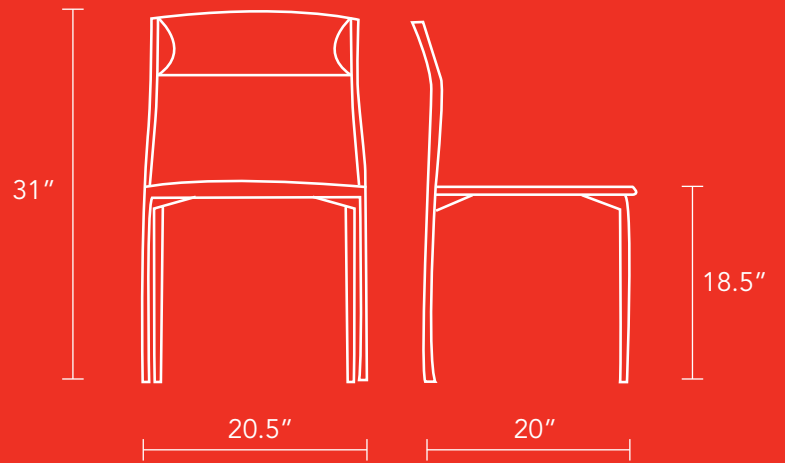


## STANDARD FEATURES:

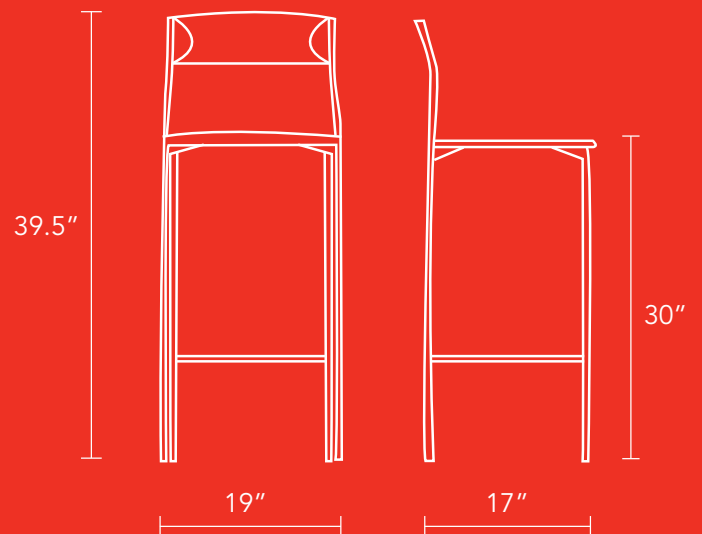
Tapered steel tube structure in chrome or matte chrome finish

Seat and back in plastic laminate or molded plastic

### CHAIR #1332-AL2



### BAR STOOL #1333-AL2





# KEIRA

DESIGNED BY: PAOLO CEOLA



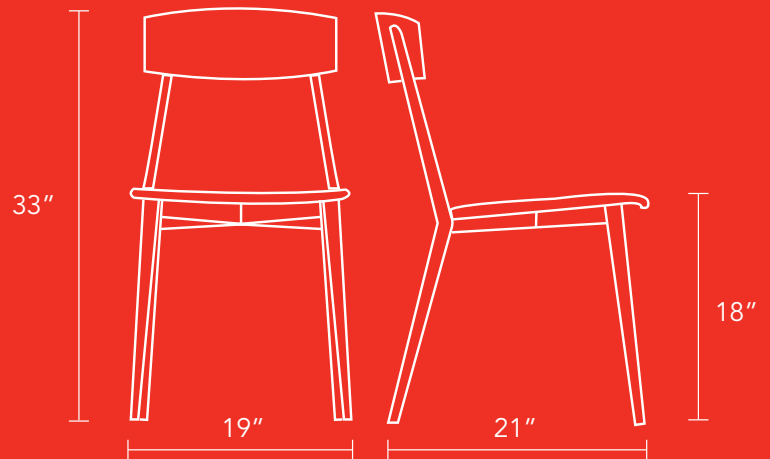
## STANDARD FEATURES:

Steel tube structure in chrome or matte chrome finish

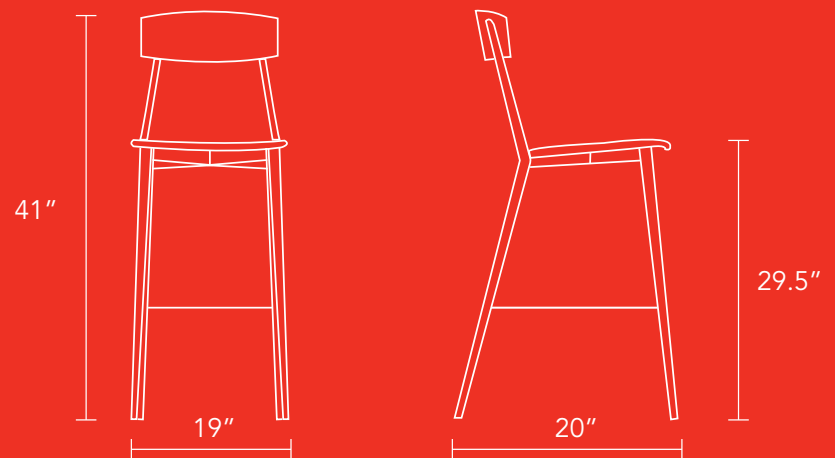
Seat and back in laminate or in Beech

Hardwood Veneer

## CHAIR #1443-AL2



## BAR STOOL #1445-AL2





# VILLA

DESIGNED BY: SERGIO MIAN

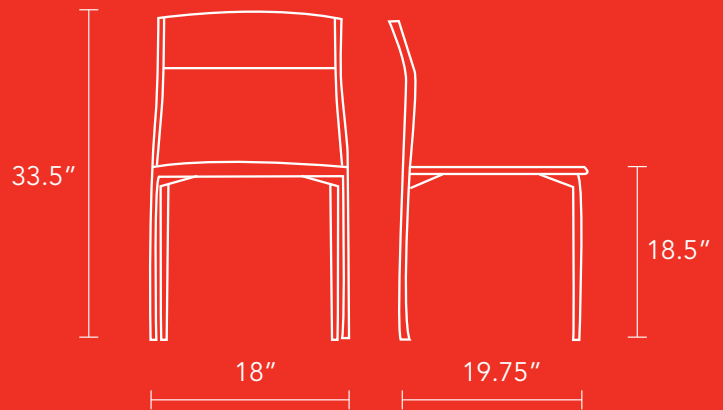


## STANDARD FEATURES:

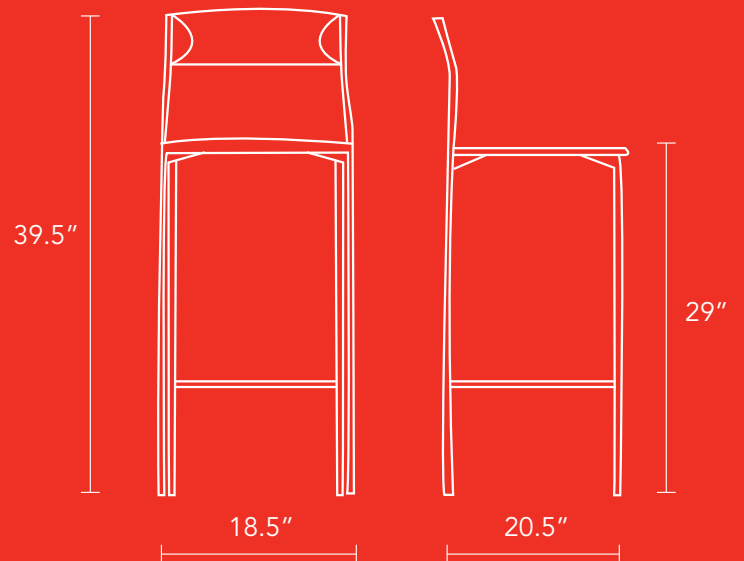
Steel tube structure in chrome or matte  
chrome finish

Seat and back in plastic laminate, Beech plywood or  
Hardwood Veneer

### CHAIR #1603-AL2



### BAR STOOL #1665-AL2





# LENA

DESIGNED BY: LEONARDO ROSSANO



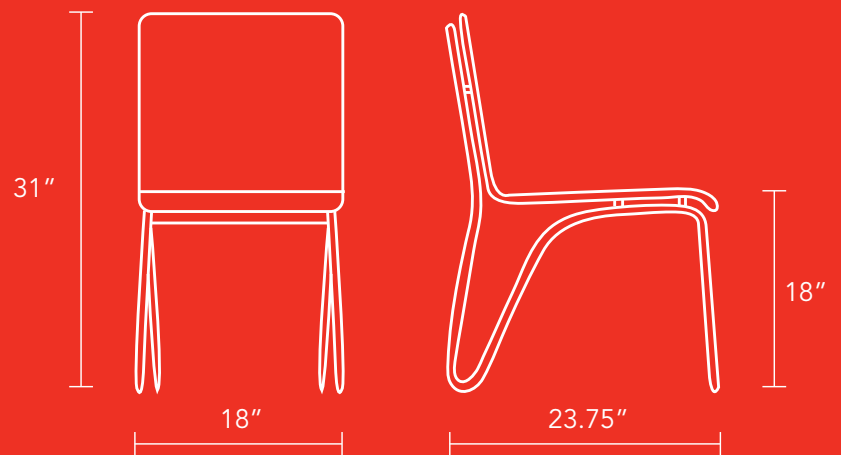


## STANDARD FEATURES:

Steel tube structure in chrome or  
matte chrome finish

Shell in plastic laminate or Hardwood Veneer

## CHAIR #1648-AL2





# CORTONA

DESIGNED BY: VITTORIO BAGGIO





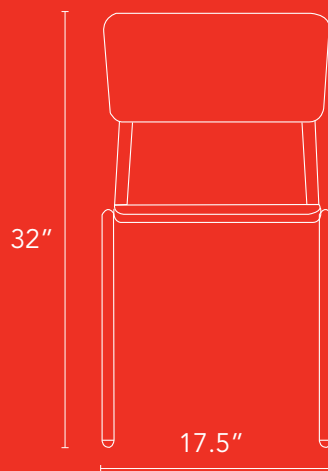


## STANDARD FEATURES:

Powdercoated steel frame

Seat/back available in plastic laminate  
or Hardwood Veneer

## CHAIR #1680-AL2





# NOVARA

DESIGNED BY: DESIGN STUDIO AID







NOVARA

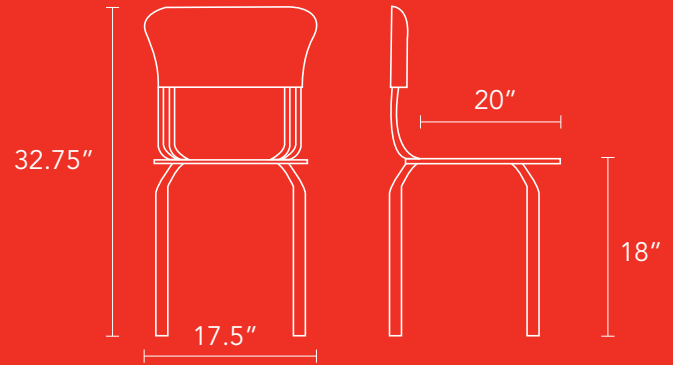
DESIGNED BY: DESIGN STUDIO AID



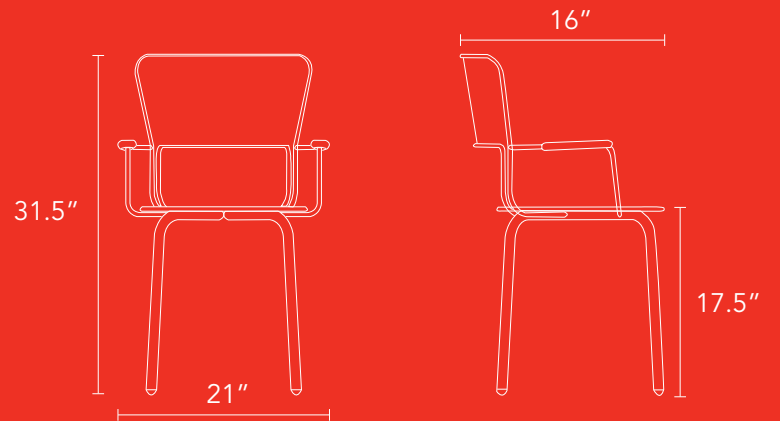
## STANDARD FEATURES:

Tubular steel frame with fitted steel back  
Powdercoat painted finish

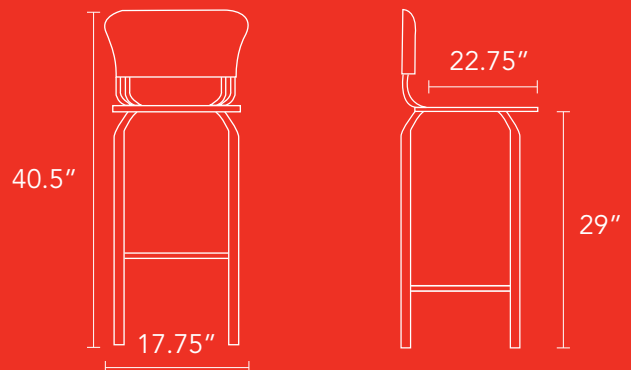
### SIDE CHAIR #1408-AL2



### ARM CHAIR #1409-AL2



### BAR STOOL #1410-AL2





DESIGNED BY: VITTORIO BAGGIO

SIMPLE | LIGHTWEIGHT | CO



COMFORTABLE



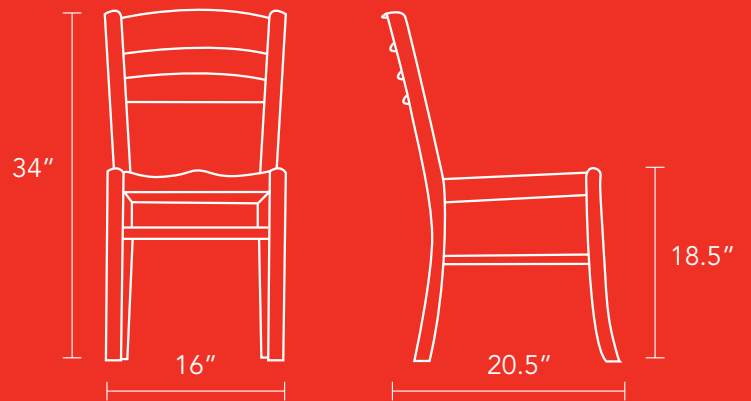
STANDARD FEATURES:

Aluminium tube structure

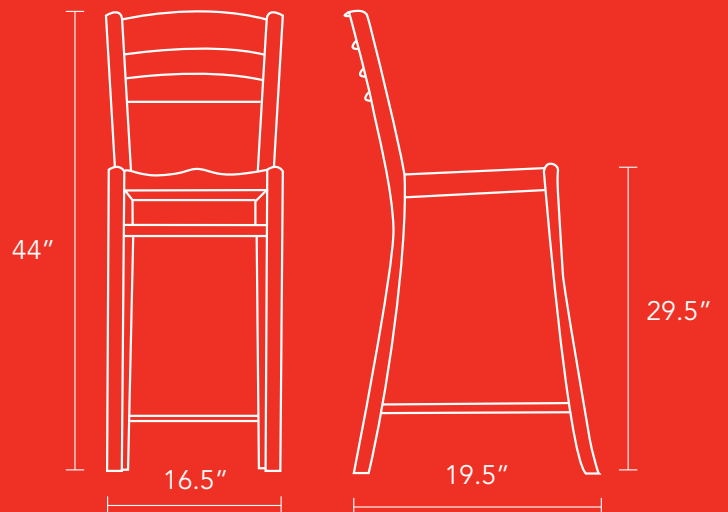
All welded construction

Seat and back in anodized or powder coated aluminum

CHAIR #1264-AL2



BAR STOOL #1265-AL2



# PANDINO

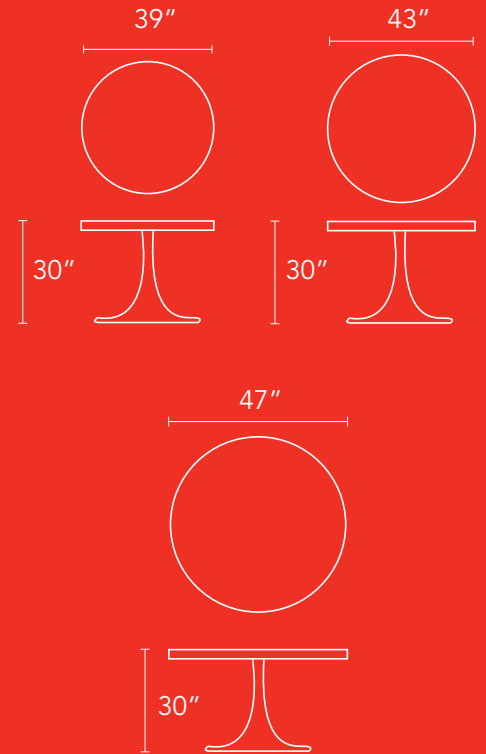
DESIGNED BY: VITTORIO BAGGIO



## STANDARD FEATURES:

Anodized spun aluminum

## TABLE #2203-AL2





 DONALD

DESIGNED BY: DESIGN STUDIO ATL



STANDARD FEATURES:

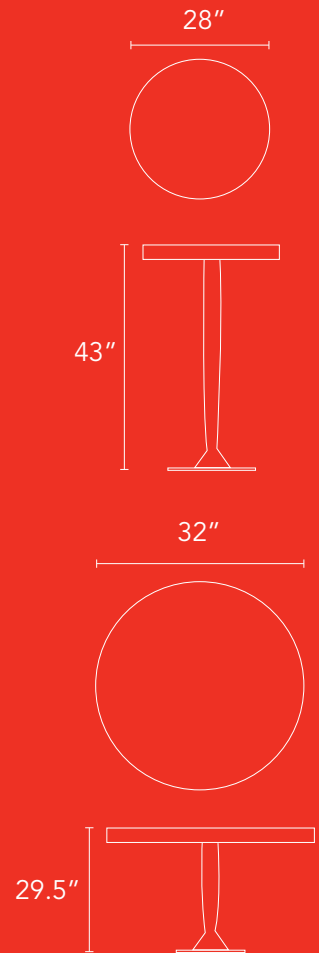
Top: Anodized spun aluminum

Column: Anodized aluminum

Base: Brushed stainless steel

Also available powder coated

BAR TABLE #2193-AL2





# KRONOS TABLE

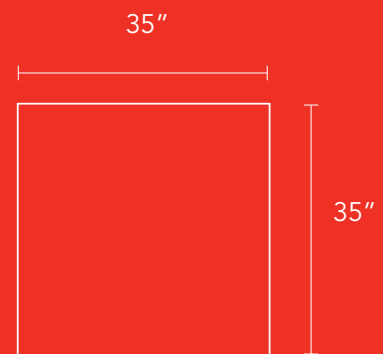
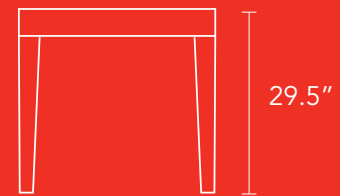
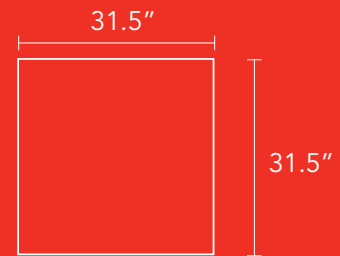
DESIGNED BY: DESIGN STUDIO AID



STANDARD FEATURES:

Anodized aluminum or powdercoat finish

TABLE #2440-AL2





BENCHMARKDESIGNGROUP.COM

456 Osceola Avenue • Jacksonville Beach, FL 32250 PH: 904-246-5060 • FX: 904-246-9008

